



F Series

METAL ACCESSORIES

METAL ACCESSORIES



SURFACE : ●BK ○WZ

F-1

kg/Pc	0.158
Pc/Ctn	50

F-2

kg/Pc	0.200
Pc/Ctn	20

F-2A

kg/Pc	0.250
Pc/Ctn	10

F-3

kg/Pc	0.006
Pc/Ctn	800

F-3A

kg/Pc	0.001
Pc/Ctn	10000

F-3B

kg/Pc	0.020
Pc/Ctn	300

F-3C

kg/Pc	0.020
Pc/Ctn	300

F-4

kg/Pc	0.020
Pc/Ctn	300

F-4A (Use with F-10/F-10A/F-21)

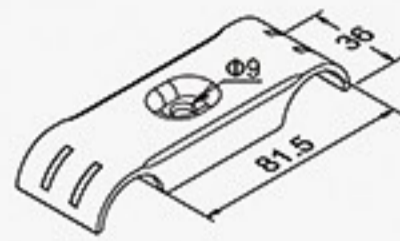
kg/Pc	0.070
Pc/Ctn	150

F-5

kg/Pc	0.026
Pc/Ctn	200

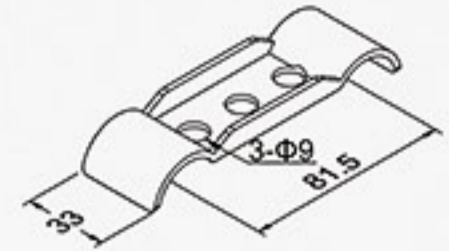
Unit : mm

F-6



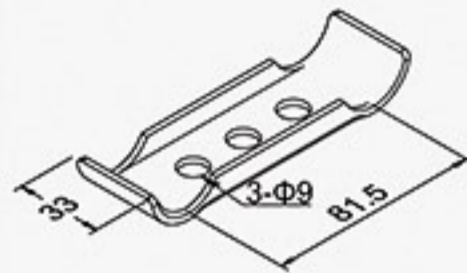
kg/Pc	0.104
Pc/Ctn	130

F-7



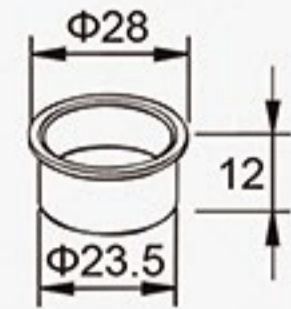
kg/Pc	0.079
Pc/Ctn	240

F-8



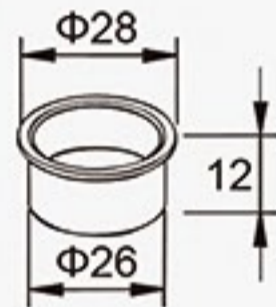
kg/Pc	0.082
Pc/Ctn	240

F-9



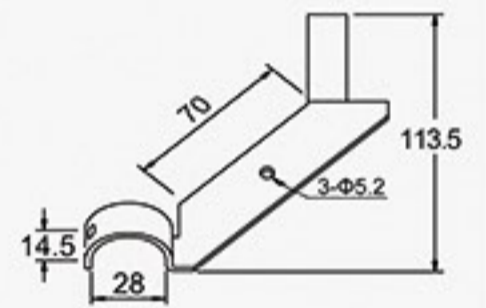
kg/Pc	0.013
Pc/Ctn	800

F-9A



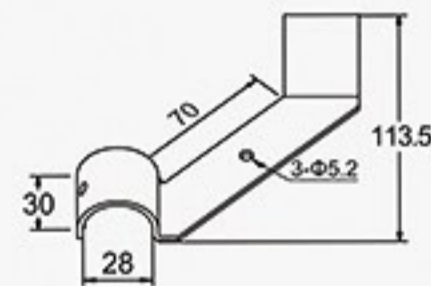
kg/Pc	0.013
Pc/Ctn	800

F-10 (Use with F-4A/F-10A/F-21)



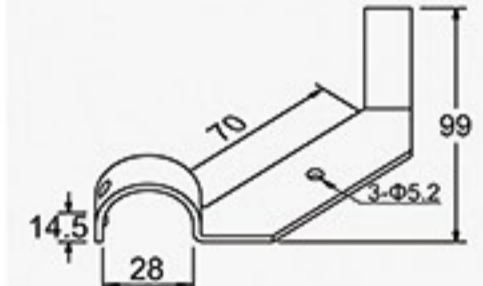
kg/Pc	0.072
Pc/Ctn	90

F-10A (Use with F-4A/F-10/F-21)



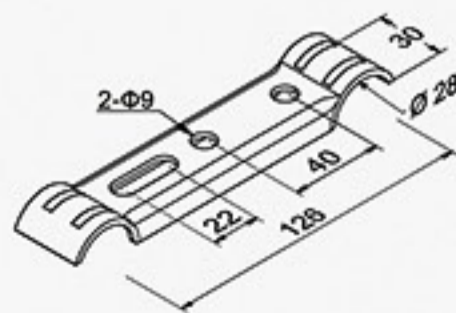
kg/Pc	0.106
Pc/Ctn	75

F-10B (Use with F-4A/F-10/F-21)



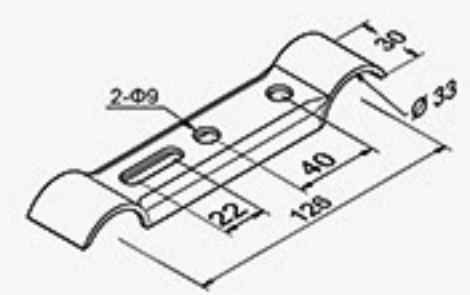
kg/Pc	0.065
Pc/Ctn	75

F-11



kg/Pc	0.108
Pc/Ctn	120

F-11A



kg/Pc	0.109
Pc/Ctn	120

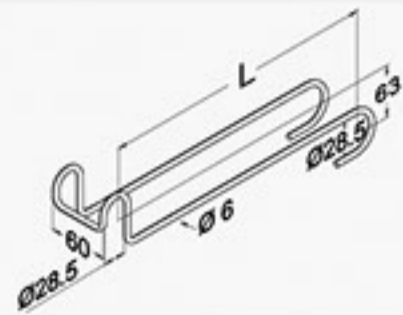
F Series

METAL ACCESSORIES



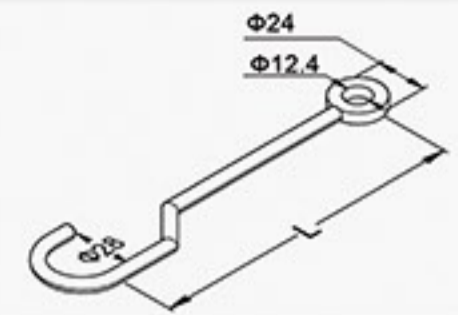
SURFACE : ●BK ○WZ

F-12A/F-12B/F-12C



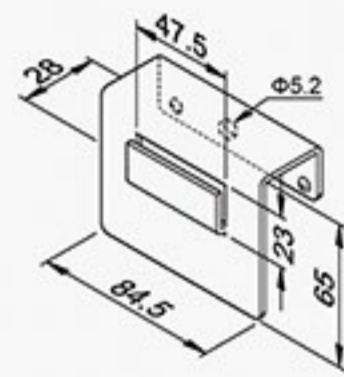
Part No.	F-12A	F-12B	F-12C
L(mm)	235	335	435
kg/Pc	0.183	0.225	0.255
Pc/Ctn	40	30	25

F-13A/F-13B/F-13C/F-13D



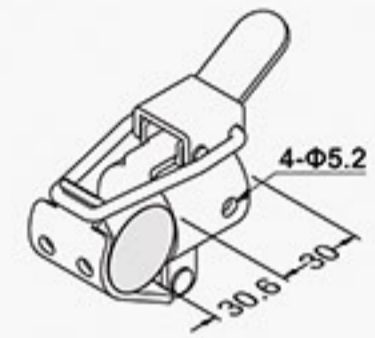
Part No.	F-13A	F-13B	F-13C	F-13D
L(mm)	60	100	150	200
kg/Pc	0.039	0.046	0.059	0.070
Pc/Ctn	350	230	180	150

F-14



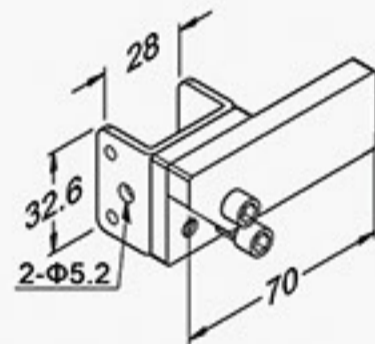
kg/Pc	0.188
Pc/Ctn	60

F-15



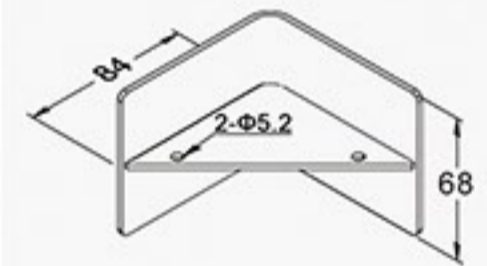
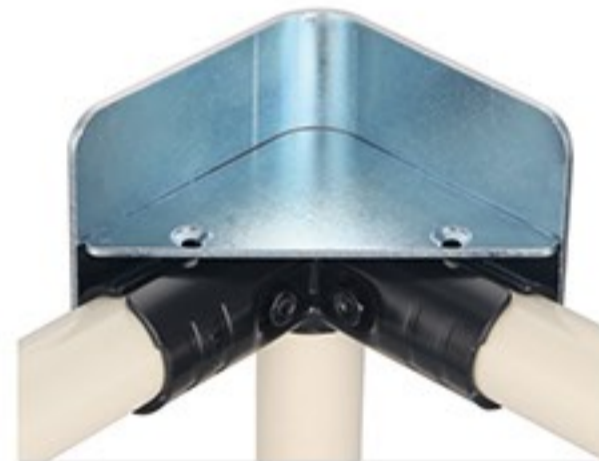
kg/Pc	0.145
Pc/Ctn	75

F-16



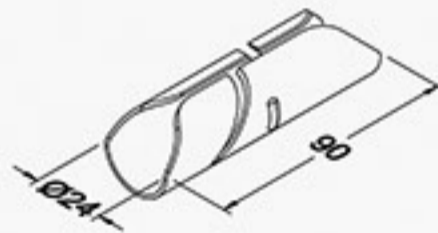
kg/Pc	0.230
Pc/Ctn	130

F-17



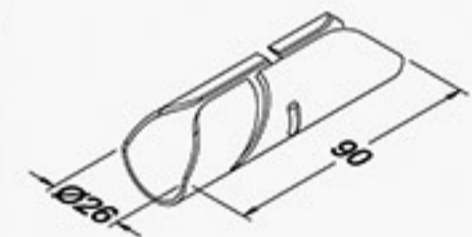
kg/Pc	0.275
Pc/Ctn	25

F-18



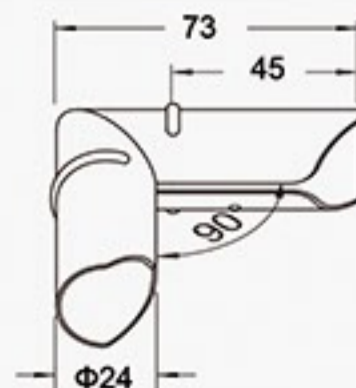
kg/Pc	0.040
Pc/Ctn	120

F-18A



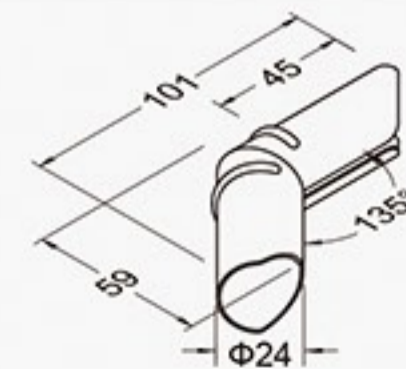
kg/Pc	0.040
Pc/Ctn	120

F-18B



kg/Pc	0.050
Pc/Ctn	80

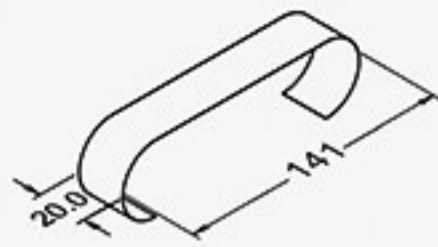
F-18C



kg/Pc	0.050
Pc/Ctn	100

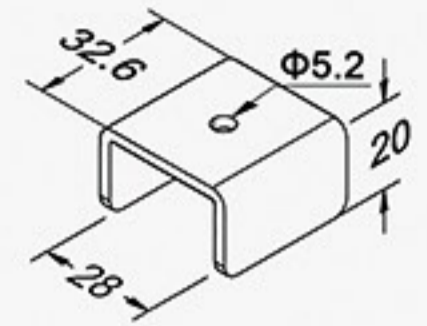
Unit : mm

F-19



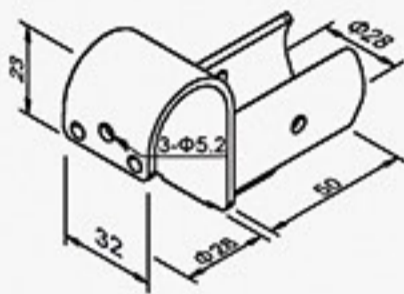
kg/Pc	0.015
Pc/Ctn	200

F-20



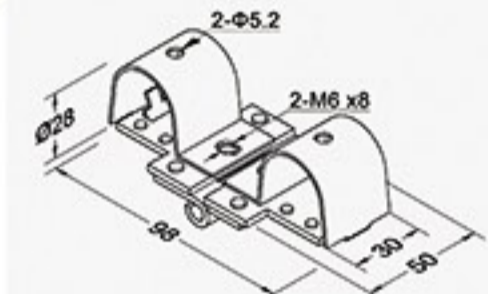
kg/Pc	0.037
Pc/Ctn	500

F-21 (Use with F-4A/F-10/F-10A)



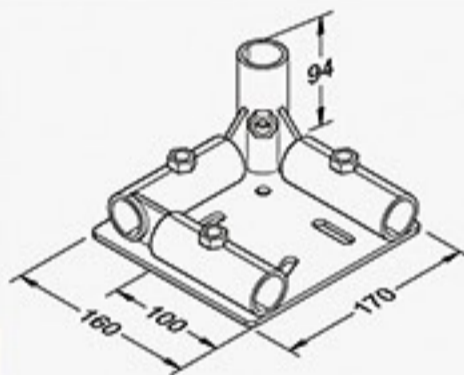
kg/Pc	0.130
Pc/Ctn	80

F-22



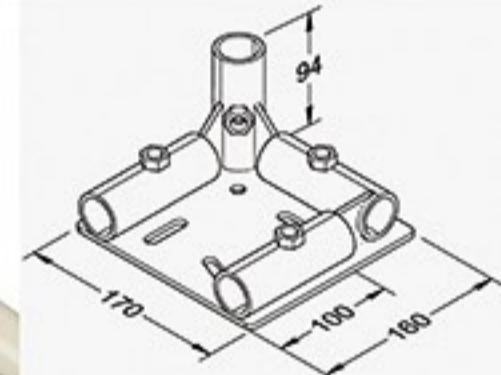
kg/Pc	0.190
Pc/Ctn	40

F-24A



kg/Pc	1.930
Pc/Ctn	4

F-24B



kg/Pc	1.930
Pc/Ctn	4

F-25A



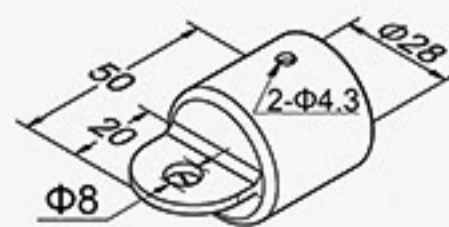
kg/Pc	0.075
Pc/Ctn	120

F-25B



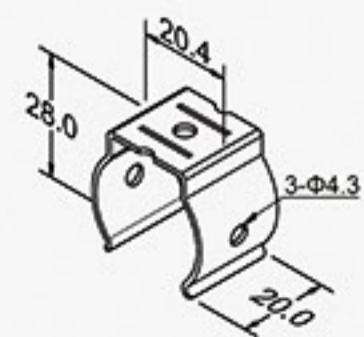
kg/Pc	0.073
Pc/Ctn	120

F-25C



kg/Pc	0.041
Pc/Ctn	220

F-26



kg/Pc	0.009
Pc/Ctn	400

METAL ACCESSORIES



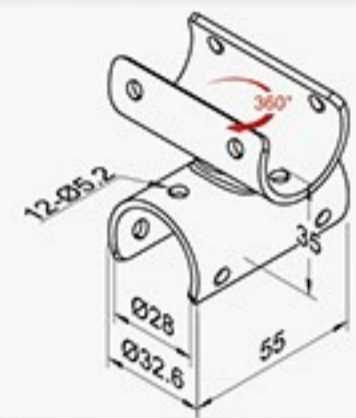
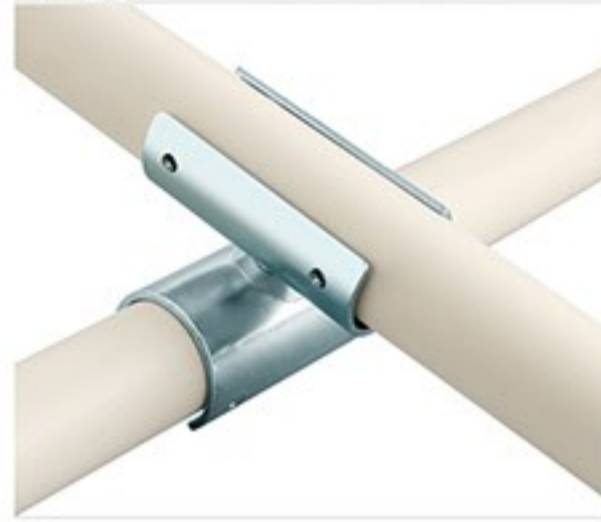
SURFACE : ●BK ○WZ

F-27



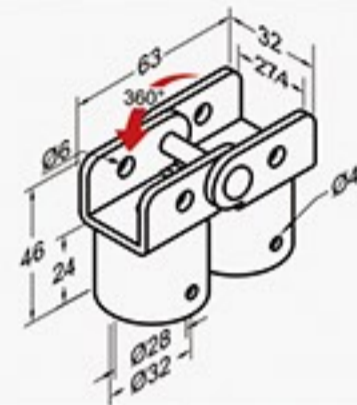
kg/Pc	0.020
Pc/Ctn	150

F-28



kg/Pc	0.125
Pc/Ctn	80

F-30



kg/Pc	0.150
Pc/Ctn	150