

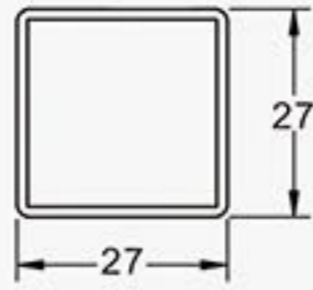


K Series

SQUARE SERIES

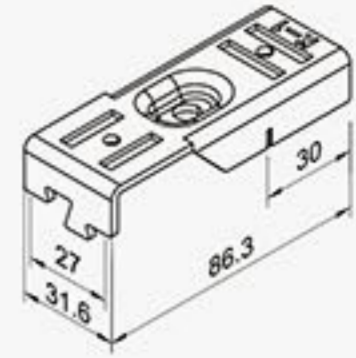
27 Square Pipe

K-27



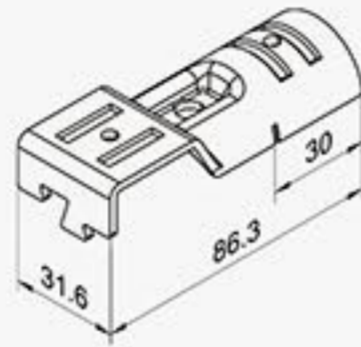
kg/m	2.389
m/Pc	2.44
m/Bdl	9.76

K-1



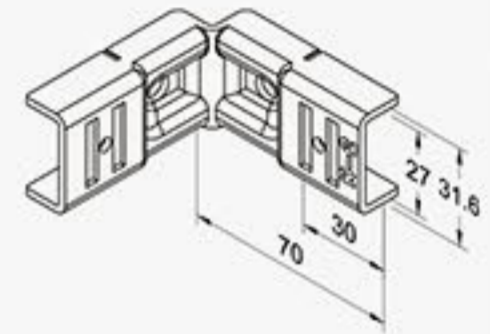
kg/Pc	0.00
Pc/Ctn	00

K-1A



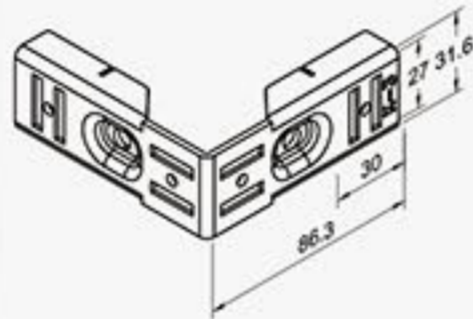
kg/Pc	0.00
Pc/Ctn	00

K-2



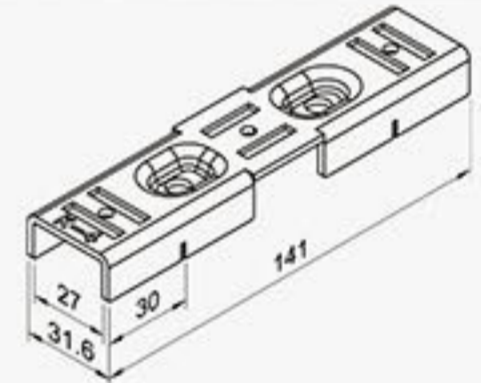
kg/Pc	0.00
Pc/Ctn	00

K-3



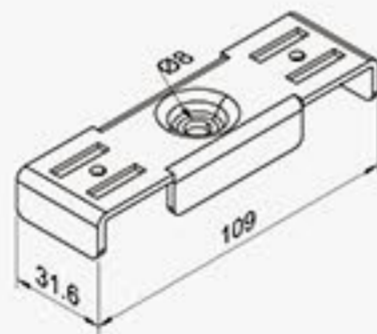
kg/Pc	0.00
Pc/Ctn	00

K-4



kg/Pc	0.00
Pc/Ctn	00


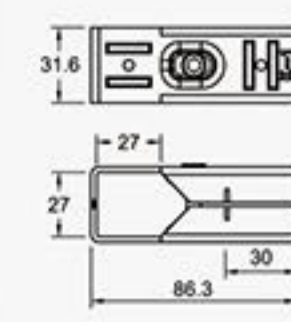

K-F6



kg/Pc	0.00
Pc/Ctn	00

Unit : mm

KJ-1

K-1 : 2 Pcs	kg/Set : 0.000
N-1/N-2 : 1 Set	Sets/Ctn : 4 / 00


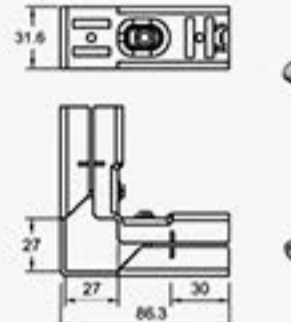

KJ-1A






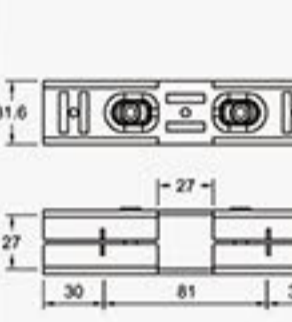

K-1A : 2 Pcs	kg/Set : 0.000
N-1/N-2 : 1 Set	Sets/Ctn : 4 / 00

KJ-2

K-2 : 1 Pc	kg/Set : 0.000
K-3 : 1 Pc	Sets/Ctn : 4 / 00
N-1/N-2 : 2 Sets	

KJ-4

K-4 : 2 Pcs	kg/Set : 0.000
N-1/N-2 : 2 Sets	Sets/Ctn : 4 / 00